

# 15" Embedded Touch PC

FT15V40CAPOB



- Allwinner® V40 Cortex™ A7 QuadCore Processor
  - 1GB RAM Memory & 8GB FLASH Storage
  - Pre-installed Android 6.0 operating system
  - Anti-glare surface treatment (chemical etching)
  - 10-Finger-Multi Touch Capacitive Touch Panel
  - 1.1mm cover glass with 7H surface hardness
  - Optically bonded Touch Panel to LCD Panel
  - Patented IP65 front with silicon seal
  - Integrated W-LAN module
  - 2 year guarantee
- *Optional: integrated GPS, Bluetooth, 3G/4G, POE module*

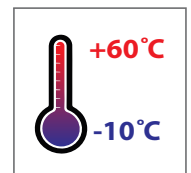


faytech's Embedded Touch PCs have a pre-installed Android 6.0 operating system and are equipped with W-LAN module. The device has IP65 water- and dust proof front panels and capacitive 10-finger multitouch. All the PCs have VESA 75 or VESA 100 screw patterns on the back, while the 13.3" to 21.5" come with their own desktop stand included.

The Embedded PC is powered by the powerful embedded V40 QuadCore mainboard, with 1G DDR3 RAM, 8GB flash memory, a SATA connector and SD card slot for further storage expansion.

This device has an optically bonded touch panel, which will improve the stability, reduce the reflection, increase the viewing angle, and enhance the perceived brightness. It also provides resistance to dust particles and shows a better image in general.

It is the perfect choice for a wide variety of applications, including industrial automation, control panels and digital signage.



<b>Product name</b>	<b>15" Embedded Touch PC</b>
<b>Article code / EAN number</b>	<b>FT15V40CAPOB / 6920734015801</b>

<b>IP Rating</b>	
IP65 Front / IP40 Back	

<b>LCD Panel</b>	
Screen diagonal (Inch/cm)	15/38.10
Display active screen size (cm)	30.40×22.80
Aspect ratio	4:3
Physical resolution	1024×768
External Maximum showable resolution - HDMI	1920×1080
Colours displayed	16.7M
Brightness (cd/m <sup>2</sup> )	300
Contrast	700:1
Typical reaction time Tr/ Tf (ms)	8/12
Visual Angle horizontal/vertical (°)	160/160
Backlight / Backlight Lifetime (hours)	LED / 30,000

<b>Operation / Mechanical</b>	
Operating Temperature (°C)	-10 ~ +60
Humidity Range (RH)	10% - 90%
Net weight (kg)	4.10
Gross weight (kg)	5.10 (incl. cartonage)
Housing material	Rubber Front Case, Plastic Back Case
Housing (cm) L × W × H	35.90 × 29.80 × 4.50
Mounting	VESA 100

<b>Included in the Delivery</b>	
Power Supply (see Power section)	
W-LAN Antenna (RP-SMA female)	
Short Installation Manual	
Standard Stand	

<b>Expansion slots</b>	
MiniPCIe	

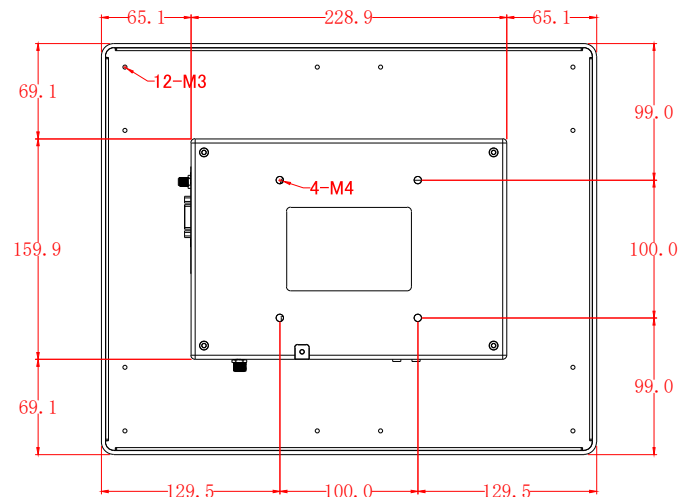
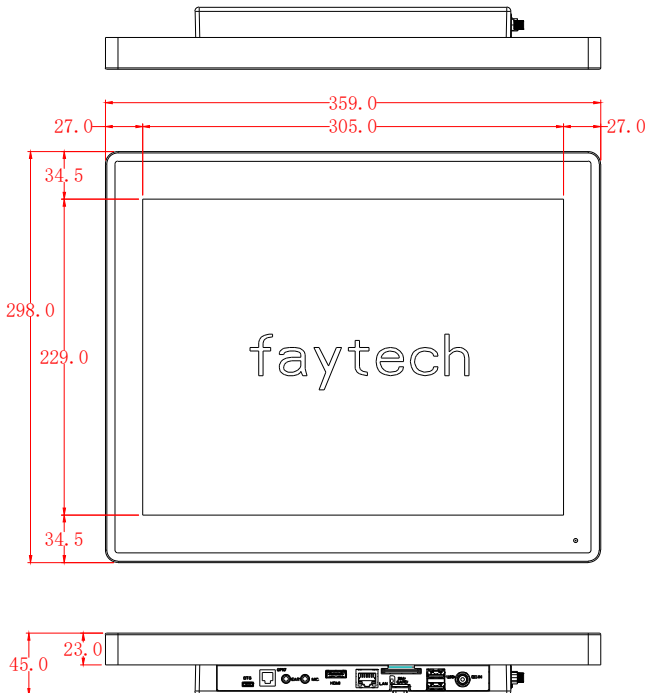
<b>PC System</b>	
CPU	Allwinner® V40 QuadCore
Chipset	Cortex A7
Graphic GPU	ARM® Mali400 Mp2 Complies with OpenGL ES 2.0/1.1
Audio	Integrated HI-FI 100dB Audio Codec Dual analog mic, 2x6W amplifier
Memory	1GB DDR3
Storage	8GB EMMC Flash
Network	10/100Mbit Network; W-LAN
OS	Android 6.0

<b>Touch Panel</b>	
Touch Technology	Projected Capacitive 10-Point Multitouch
Touch Connector	USB
Touch Life (Contacts)	Unlimited
Surface Hardness	7H
Surface Treatment	Anti-glare (chemical etching)

<b>Power</b>	
Power Indicator	Green LED
Power Supply	100-240V ACDC active switching; 12V DC-Out
Working Power (V)	8~18
Power Consumption (W)	16
Stand-By Consumption (W)	<1

<b>Internal Connectors</b>	
1x SD-card	
1x SIM-card	
2x Serial	
4x TTL UART	
2x USB 2.0	
18/24Bit LVDS	
6x GPIO	
1x Line-In	
1x Line-Out	
1x Amplifier for 2x6W loudspeaker	
1x SATA-Port	
1x RTC	
1x CAN Bus	

<b>External Connectors</b>	
1x 8-18V DC-In (screwable)	
1x HDMI	
2x USB 2.0	
1x USB OTG	
1x 10/100Mbit RJ45 Port	
1x Audio-In	
1x Audio-Out	
1x Serial	
1x GPIO RJ11 Port	
1x SD-card slot	
1x SIM-card slot	
1x W-LAN antenna connector (RP-SMA male)	



## Corporate Headquarters

**faytech AG**  
Bischhäuser Aue 10  
37213 Witzenhausen  
Germany

[support@faytech.com](mailto:support@faytech.com)  
[contact@faytech.com](mailto:contact@faytech.com)  
[www.faytech.com](http://www.faytech.com)

China: +86 755 8958 0612  
Germany: +49 5542 30374 10  
USA: +1 646 205 3214  
India: +91 11 49707436  
Japan: +070 4127 5167