

13.3" Embedded Touch PC

FT133V40CAPOB



- Allwinner® V40 Cortex™ A7 QuadCore Processor
 - 1GB RAM Memory & 8GB FLASH Storage
 - Pre-installed Android 6.0 operating system
 - Anti-glare surface treatment (chemical etching)
 - 10-Finger-Multi Touch Capacitive Touch Panel
 - 1.1mm cover glass with 7H surface hardness
 - Optically bonded Touch Panel to LCD Panel
 - Patented IP65 front with silicon seal
 - Integrated W-LAN module
 - 2 year guarantee
- *Optional: integrated GPS, Bluetooth, 3G/4G, POE module*

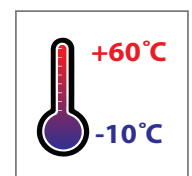


faytech's Embedded Touch PCs have a pre-installed Android 6.0 operating system and are equipped with W-LAN module. The device has IP65 water- and dust proof front panels and capacitive 10-finger multitouch. All the PCs have VESA 75 or VESA 100 screw patterns on the back, while the 13.3" to 21.5" come with their own desktop stand included.

The Embedded PC is powered by the powerful embedded V40 QuadCore mainboard, with 1G DDR3 RAM, 8GB flash memory, a SATA connector and SD card slot for further storage expansion.

This device has an optically bonded touch panel, which will improve the stability, reduce the reflection, increase the viewing angle, and enhance the perceived brightness. It also provides resistance to dust particles and shows a better image in general.

It is the perfect choice for a wide variety of applications, including industrial automation, control panels and digital signage.



Product name	13.3" Embedded Touch PC
Article code / EAN number	FT133V40CAPOB / 6920734013814

IP Rating	
IP65 Front / IP40 Back	

LCD Panel	
Screen diagonal (Inch/cm)	13.3/33.78
Display active screen size (cm)	29.37×16.52
Aspect ratio	16:9
Physical resolution	1920×1080
External Maximum showable resolution - HDMI	1920×1080
Colours displayed	16.7M
Brightness (cd/m ²)	350
Contrast	700:1
Typical reaction time Tr/ Tf (ms)	14/1
Visual Angle horizontal/vertical (°)	178/178
Backlight / Backlight Lifetime (hours)	LED / 15,000

Operation / Mechanical	
Operating Temperature (°C)	-10 ~ +60
Humidity Range (RH)	10% - 90%
Net weight (kg)	2.80
Gross weight (kg)	3.80 (incl. cartonage)
Housing material	Rubber Front Case, Plastic Back Case
Housing (cm) L × W × H	33.82 × 22.07 × 3.23
Mounting	VESA 100

Included in the Delivery	
Power Supply (see Power section)	
W-LAN Antenna (RP-SMA female)	
Short Installation Manual	
Standard Stand	

Expansion slots	
MiniPCIe	

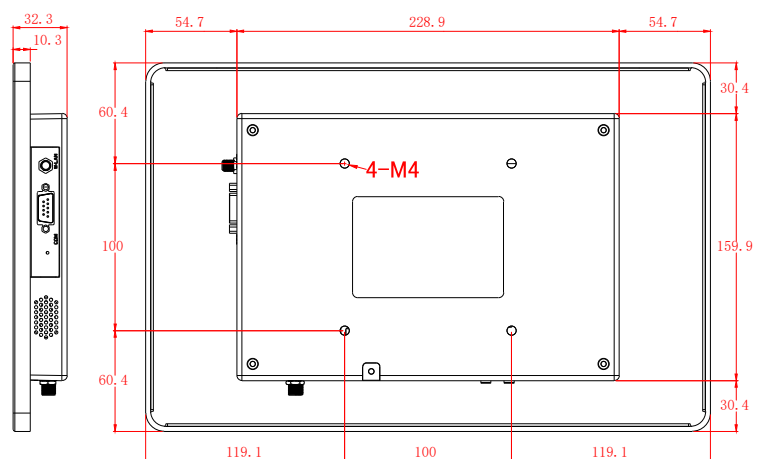
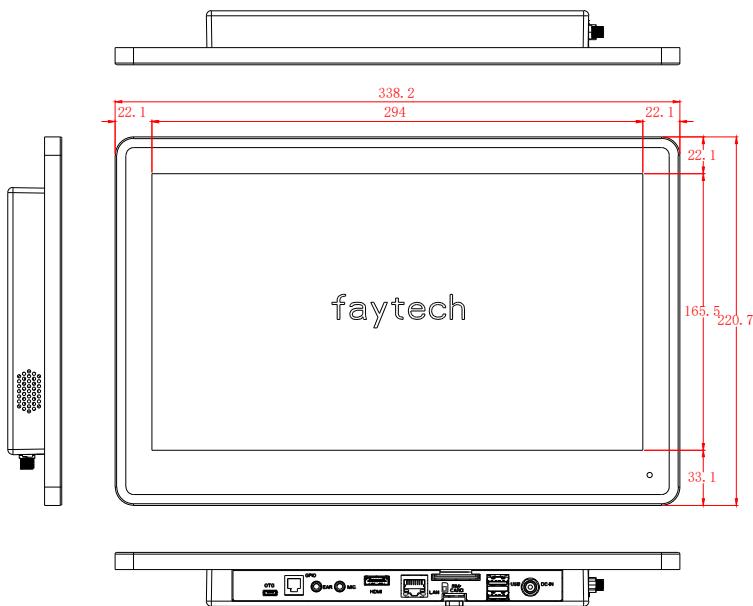
PC System	
CPU	Allwinner® V40 QuadCore
Chipset	Cortex A7
Graphic GPU	ARM® Mali400 Mp2 Complies with OpenGL ES 2.0/1.1
Audio	Integrated HI-FI 100dB Audio Codec Dual analog mic, 2x6W amplifier
Memory	1GB DDR3
Storage	8GB EMMC Flash
Network	10/100Mbit Network; W-LAN
OS	Android 6.0

Touch Panel	
Touch Technology	Projected Capacitive 10-Point Multitouch
Touch Connector	USB
Touch Life (Contacts)	Unlimited
Surface Hardness	7H
Surface Treatment	Anti-glare (chemical etching)

Power	
Power Indicator	Green LED
Power Supply	100-240V ACDC active switching; 12V DC-Out
Working Power (V)	8~18
Power Consumption (W)	13
Stand-By Consumption (W)	<1

Internal Connectors	
1x SD-card	
1x SIM-card	
2x Serial	
4x TTL UART	
2x USB 2.0	
18/24Bit LVDS	
6x GPIO	
1x Line-In	
1x Line-Out	
1x Amplifier for 2x6W loudspeaker	
1x SATA-Port	
1x RTC	
1x CAN Bus	

External Connectors	
1x 8-18V DC-In (screwable)	
1x HDMI	
2x USB 2.0	
1x USB OTG	
1x 10/100Mbit RJ45 Port	
1x Audio-In	
1x Audio-Out	
1x Serial	
1x GPIO RJ11 Port	
1x SD-card slot	
1x SIM-card slot	
1x W-LAN antenna connector (RP-SMA male)	



Corporate Headquarters

faytech AG
 Bischhäuser Aue 10
 37213 Witzenhausen
 Germany

support@faytech.com
contact@faytech.com
www.faytech.com

China: +86 755 8958 0612
 Germany: +49 5542 30374 10
 USA: +1 646 205 3214
 India: +91 11 49707436
 Japan: +070 4127 5167