

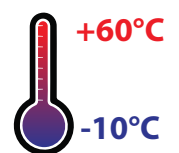
# J1900 Industrial PC



- Intel® Celeron™ QuadCore J1900 CPU
- 4GB RAM (expandable to 8GB)
- 64GB faytech Industrial SSD
- Supports Win7/8/10, Linux (32Bit, 64Bit)
- Extensive industrial and consumer interfaces
- VESA 100 Mounting
- Integrated W-LAN
- 2 years guarantee

Based on faytech's own industrial mainboard fay-002. The fay-002 series follows the highest industrial PC standards and provides stable performance. Powered by Intel® Dualcore N2807 and Quadcore J1900 processors based on Silvermont architecture, they deliver respectively 2 x 1.58 GHz and 4 x 2 GHz CPU frequency, which significantly improves the performance of touch PCs. Additionally, the Intel® graphic chip adds stronger graphic performance. On top of that, all of these components are compacted in a fanless design!

The small industrial PC delivers all industrial and consumer connectors needed and comes equipped with 4Gbyte DDR3 RAM, and reliable 64GByte SSDs. Without moving parts faytech's industrial PC fits perfect for harsh environments. Besides this, the system is shipped with an actual Linux Ubuntu version preinstalled.



<b>Product name</b>	<b>J1900 Industrial PC</b>
<b>Article code / EAN number</b>	<b>IPCJ1900W4G64G / 6920734000432</b>

<b>IP Rating</b>	
IP40	

<b>PC System</b>	
CPU	Intel® Celeron™ QuadCore J1900
Chipset	Intel® E3800
Graphic GPU	Intel® HD Graphics
Audio	Realtek 887 8channel high definition audio codec, Audio Amplifier EUA 2012A
Memory	1x 4GB DDR3L SODimm (expandable to 8GB)
Storage	faytech Industrial 64GB SSD
Network	2x Realtek PCIe GB LAN 8111G; W-LAN
Driver Support	Win7/8/10; Linux; 32Bit/64Bit
Preinstalled OS	Linux Ubuntu

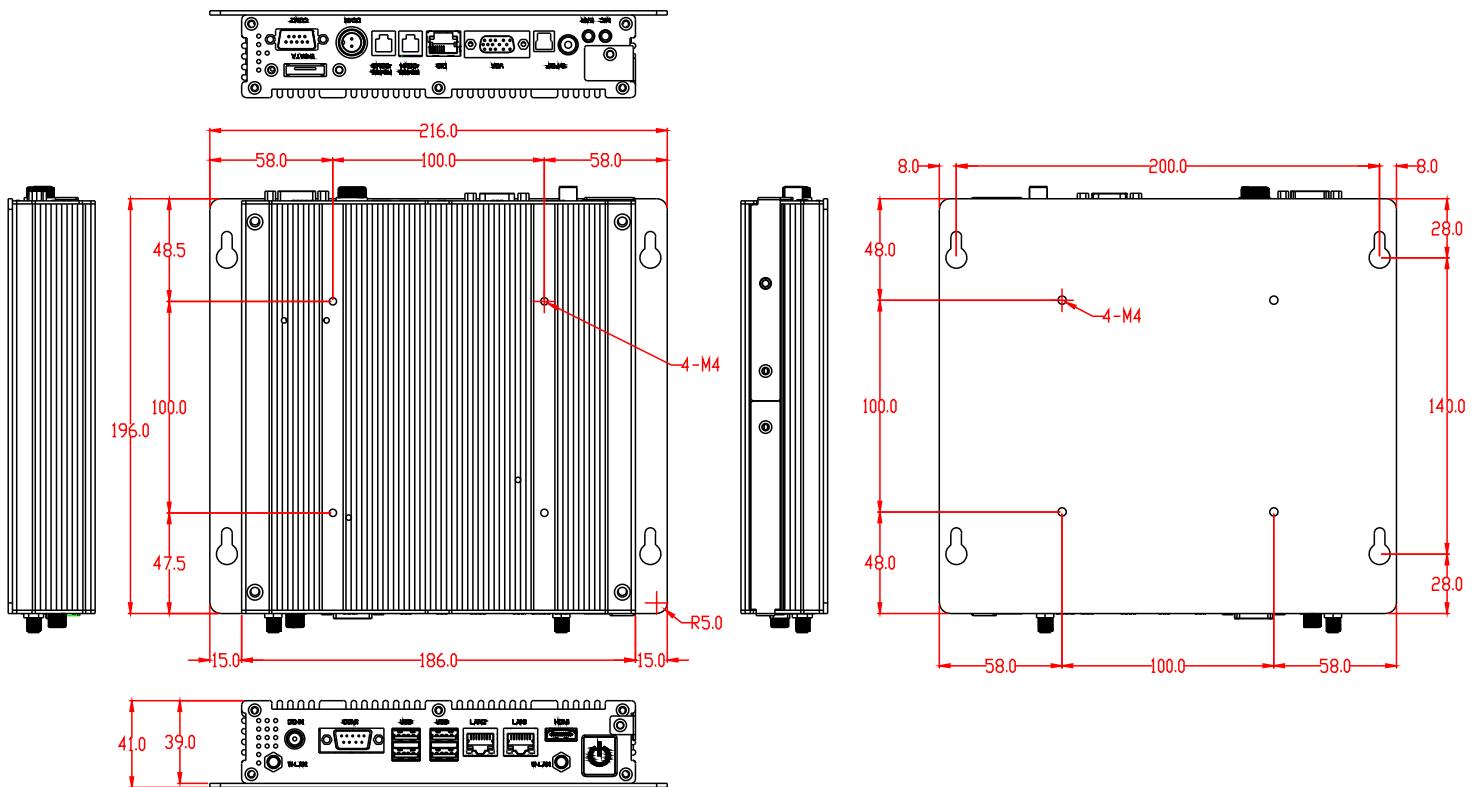
<b>Internal Connectors</b>	
1x SO-DIMM Slot, max. 8GB, DDR3L-1333 Single channel memory	
1x 12V DC power connector (2-pin); 1x 4-pin SATA power connector	
2x S-ATA 3GB/s ports; 1x 5-pin LCD power connector	
1x VGA pin header; 1x LVDS connector	
1x S/PDIF output pin header; 1x SIM-card-Header (connected to MiniPCIe)	
1x Line-Out / Mic-In audio pin header	
1x 4-pin (2x2W) audio amplifier connector	
1x PS/2 keyboard/mouse connector (6-pin)	
2x USB 2.0 header supports additional 4x USB 2.0 ports	
3x RS232/RS485 COM connectors, switchable between RS232/RS485 in BIOS	
1x 8-bit Digital I/O interface	
1x Chassis Fan connector	

<b>Operation / Mechanical</b>	
Operating Temperature (°C)	-10 ~ +60
Humidity Range (RH)	20% - 90%
Net weight (kg)	2.20
Gross weight (kg)	3.20 (incl. cartontage)
Housing material	Aluminum
Housing (cm) L x W x H	21.60 x 19.50 x 4.10
Mounting	VESA 100

<b>Power</b>	
Power Indicator	Green LED
Power Supply	100-240V ACDC active switching; 12V DC-Out
Working Power (V)	12
Power Consumption (W)	15
Stand-By Consumption (W)	<1

<b>External Connectors</b>	
1x 12V DC-In (screwable)	
1x DisplayPort	
1x VGA-out (from internal header)	
1x USB 3.0, 3x USB 2.0 ports	
2x COM port Full-PIN (RS232/485; 5V/12V)	
2x COM port 3-PIN (RX, TX, GND; RS232/485 switchable)	
2x 10/100/1000Mbit RJ45 Ports	
2x W-LAN connector	
1x S/PDIF-Out (1x Cinch, 1x Torx module)	
1x MIC-In & EAR-Out	
8x In/Out GPIO as RJ45	
1x Button-Line with On/Off + 4 GPIO-buttons on front panel	
1x 2.5" module slot, changeable SSD included	

<b>Expansion slots</b>	
2x Mini Card slots with PCIe and USB interface (2x Full Height/Half height changeable)	
1x PCIeX1 Straddle connector	
<b>Included in the Delivery</b>	
Power Supply (see Power section)	
Driver DVD	
Short Installation Manual	
W-LAN Antenna	



## Corporate Headquarters

**faytech AG**  
 Bischhäuser Aue 10  
 37213 Witzenhausen  
 Germany

[support@faytech.com](mailto:support@faytech.com)  
[contact@faytech.com](mailto:contact@faytech.com)  
[www.faytech.com](http://www.faytech.com)

China: +86 755 8958 0612  
 Germany: +49 5542 30374 10  
 USA: +1 646 205 3214  
 India: +91 11 49707436  
 Japan: +070 4127 5167