

43" Capacitive Touch PC



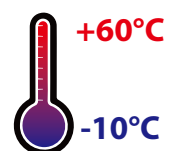
- FullHD Industrial LCD-panel with backlight LED, A+ quality
- Capacitive 10-finger multitouch
- Intel Celeron QuadCore processor, 4G RAM, 64G SSD
- Fanless operation, no moving parts
- Complete out of the box working X86 architecture

faytech's Large Format Multi-Touch PCs look great in many different commercial and industrial applications. Available in 32", 43", 55" sizes, each model is built for reliability and extended service.

An industrial HD LCD panel with energy-saving LED technology, A+-quality, wide viewing angle and 10-finger-capacitive multitouch panel, makes these the perfect interactive Touch PC for digital signage, way-finding, classrooms, dealerships, supermarkets, hotels, sports arenas, fashion shows, industrial 4.0 projects, interactive visualisations and many other uses.

The heart of the PC is faytech's industrial mainboard series fay-002 with its Intel QuadCore Processor and Intel HD Graphics chipset. With a reliable industrial SSD, preinstalled Linux Ubuntu OS, integrated Wi-Fi, built-in speakers, network, audio and video interfaces, USB and Serial connectors and a variety of other features, these hi-tech displays are a complete package ready to be used immediately.

faytech's Large Format TPCs are also available with faytech's embedded mainbord, with a stronger fanless Intel i5-5200u processor, as Touchscreen Monitor, with higher brightness up to 2500 Nits and as waterproof IP65 solution.



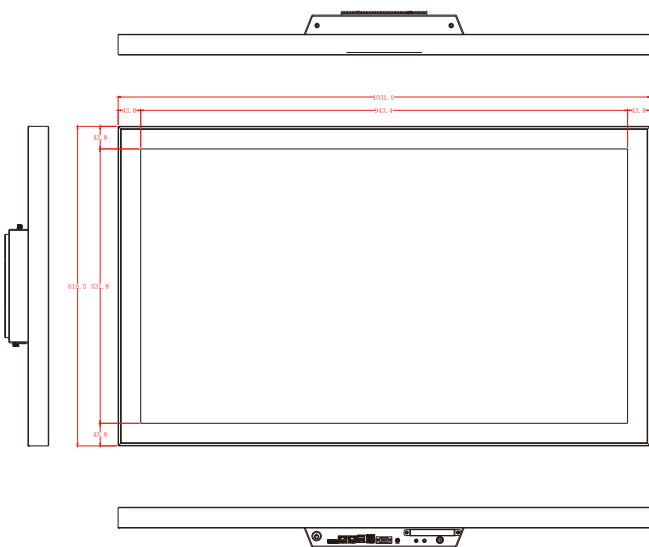
Product name	43" Capacitive Touch PC
Article code / EAN numer	FT43J1900W4G64GCAP / 6920734043524

IP Rating	
IP65 Front / IP40 Back	

LCD Panel	
Screen diagonal (Inch/cm)	42.5/107.95
Display active screen size	94.09×52.92
Aspect ratio	16:9
Physical resolution	1920×1080
External Maximum showable resolution - DP	1920×1080
Colours displayed	16.7M
Brightness (cd/m²)	400
Contrast	3000:1
Typical reaction time Tr/Tf (ms)	4/4
Visual Angle horizontal/vertical (°)	179/179
Backlight / Backlight Lifetime (hours)	LED / 60,000

Operation / Mechanical	
Operating Temperature (°C)	-10 ~ +60
Humidity Range (RH)	10% - 90%
Net weight (kg)	29.00
Gross weight (kg)	37.00 (incl. cartonage)
Housing material	Aluminum
Housing (cm) L×W×H	103.10 × 61.95 × 8.46
Mounting	VESA 400

Internal Connectors	
1x SO-DIMM Slot, max. 8GB, DDR3L-1333 Single channel memory	
1x 12V DC power connector (2-pin); 1x 4-pin SATA power connector	
2x S-ATA 3GB/s ports; 1x 5-pin LCD power connector	
1x VGA pin header; 1x SIM-card-Header (connected to MiniPCIe); 1x LVDS connector	
1x S/PDIF output pin header	
1x Line-Out / Mic-In audio pin header	
1x 4-pin (2x2W) audio amplifier connector	
1x PS/2 keyboard/mouse connector (6-pin)	
1x USB 2.0 header supports additional 4x USB 2.0 ports	
3x RS232/RS485 COM connectors, switchable between RS232/RS485 in BIOS	
1x 8-bit Digital I/O interface	
1x Chassis Fan connector	



PC System	
CPU	Intel® Celeron™ QuadCore J1900
Chipset	Intel® E3800
Graphic GPU	Intel® HD Graphics
Audio	Realtek 887 8 -channel high definition audio codec, Audio Amplifier EUA 2012A
Memory	1x 4GB DDR3L SODimm (expandable to 8GB)
Storage	faytech Industrial 64GB SSD
W-LAN	2x Realtek PCIe GB LAN 8111G
Driver Support	Win7/8/10; Linux; 32Bit/64Bit
Preinstalled OS	Linux Ubuntu

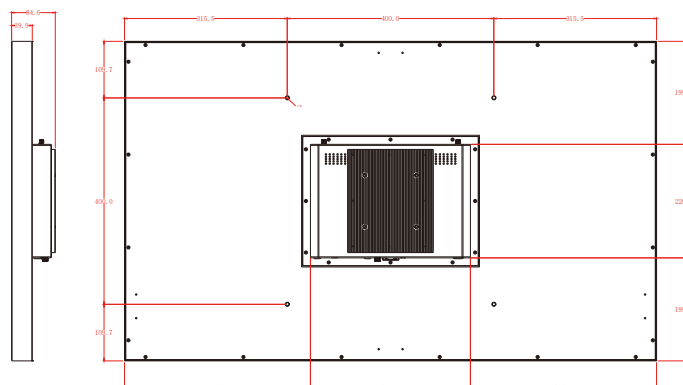
Touch Panel	
Touch Technology	Projected Capacitive 10-Point Multitouch
Touch Connector	USB
Touch Panel Drivers	Windows; Linux; Mac; Android
Touch Life (Contacts)	Unlimited
Surface Hardness	7H

Power	
Power Indicator	Green LED
Power Supply	100-240V ACDC active switching; 24V DC-Out
Working Power (W)	24
Power Consumption (W)	90
Stand-By Consumption (W)	<1

External Connectors	
1x Display port	
1x USB 3.0, 3x USB 2.0 ports	
1x COM port Full-PIN (RS232/485; 5V/12V)	
2x 10/100/1000Mbit RJ45 Ports	
2x W-LAN connector	
1x 24V 4-PIN DC-In	
1x On/Off-button	
1x 2.5" module slot, changeable SSD included	

Expansion slots	
2x Mini Card slots with PCIe and USB interface (2x Full Height/Half height changeable)	
1x PCIeX1 Straddle connector	

Included in the Delivery	
Power Supply (see Power section)	
Driver DVD	
Short Installation Manual	



Corporate Headquarters

faytech AG
 Bischhäuser Aue 10
 37213 Witzenhausen
 Germany

support@faytech.com
contact@faytech.com
www.faytech.com

China: +86 755 8958 0612
 Germany: +49 5542 30374 10
 USA: +1 646 205 3214
 India: +91 11 49707436
 Japan: +070 4127 5167