

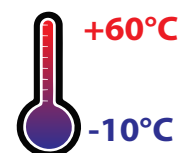
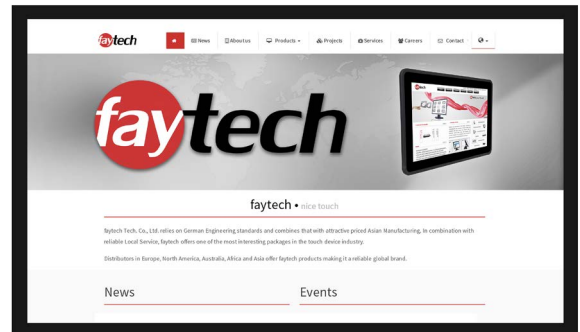
21.5" Open Frame Capacitive Touch Monitor



- Full HD Industrial LCD panel with backlight LED, A+ quality
- 10-Finger Multi Touch Capacitive Touch Panel
- Optically bonded Touch Panel
- 1000+ cd/m² brightness
- 2 years guarantee
- Integrated Light Sensor (optional)

faytech's Open Frame Capacitive Touch Monitors are the perfect choice for industrial and business applications. The capacitive 10-finger multitouch panel brings an easy using experience for a wide range of applications. Each model in this series is built for reliable and extended service by using an A+ quality HD LCD panel with energy efficient LED technology. It is equipped with a wide range of standard connectors, such as HDMI, DVI, VGA, USB-Touch, serial and DC-In.

This device has an optically bonded touch panel, which will improve the stability, reduce the reflection, increase the viewing angle, and enhance the perceived brightness. It also provides resistance to dust particles and shows a better image in general. This open frame version is a light weight model without any back case, which makes it perfect for integrating into your own system or mount at different locations. On top of that, the price will be more economic, because less parts are needed. It is the perfect interactive solution for digital signage, classrooms, meeting rooms, industrial automation, shopping malls, hotels and many other areas.



Product name	21.5" Open Frame Capacitive Touch Monitor
Article code / EAN number	FT215HDKTMCAPOBHB / 6920734022120

IP Rating	
IP65 Front / IP40 Back	

LCD Panel	
Screen diagonal (Inch/cm)	21.5/54.69
Display active screen size (cm)	47.70×26.80
Aspect ratio	16:9
Physical resolution	1920×1080
Maximum showable resolution	1920×1200
Colours displayed	16.7M
Brightness (cd/m ²)	1000
Contrast	1000:1
Typical reaction time Tr/Tf (ms)	7/7
Visual Angle horizontal/vertical (°)	178/178
Backlight / Backlight Lifetime (hours)	LED / 30,000

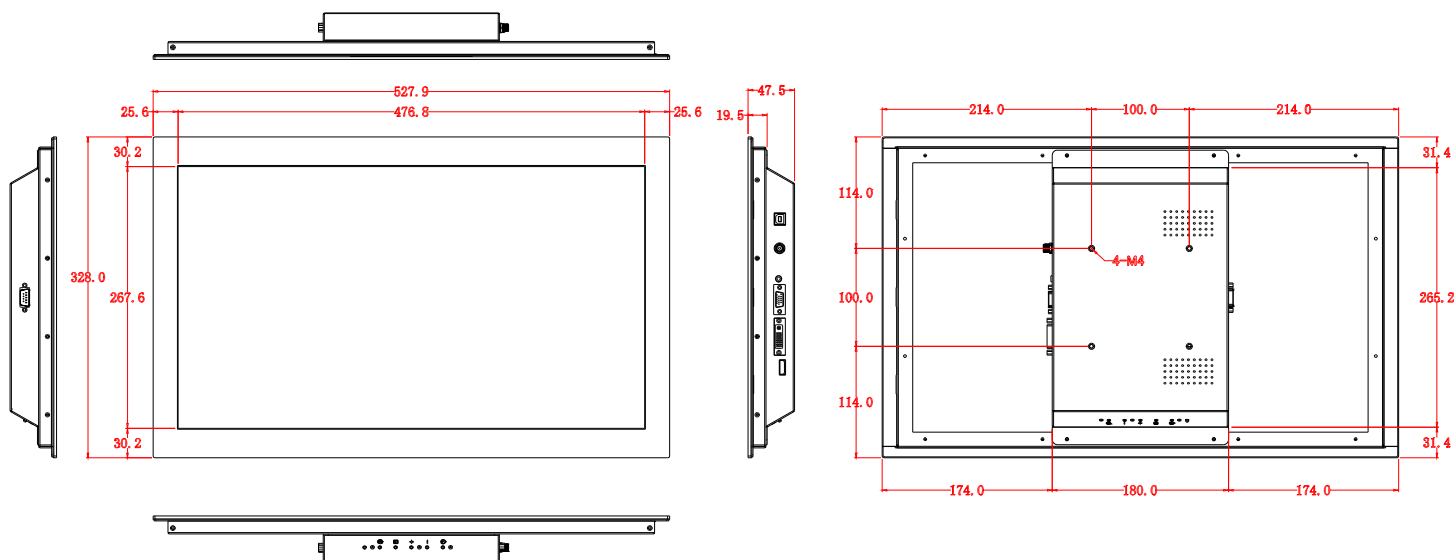
External Connectors	
Video	1x VGA
	1x DVI-D
	1x HDMI 1.3 (incl. HDCP)
Audio	1x PC-Audio
Touch Connector	1x USB
Connectors	1x Serial
	1x 12V DC-In

Touch Panel	
Touch Technology	Projected Capacitive 10-point Multitouch Optically bonded
Touch Panel Drivers	Windows; Linux; Mac; Android
Touch Life (Contacts)	Unlimited
Surface Hardness	7H
Surface Treatment	Anti glare (chemical etched)

Operation / Mechanical	
Operating Temperature (°C)	-10 ~ +60
Humidity Range (RH)	10% - 90%
Net weight (kg)	5.00
Gross weight (kg)	7.30 (incl. cartonage)
Housing material (open frame)	Steel (zinc-coated)
Housing (cm) L × W × H	52.79 × 32.80 × 4.76
Mounting	VESA 100

Power	
Power Supply	100-240V ACDC active switching; 12V DC-Out
Working Power (V)	12
Power Consumption (W)	28
Stand-By Consumption (W)	<1

Included in the Delivery	
Power Supply (see Power section)	
HDMI Cable	
USB Cable	



Corporate Headquarters

faytech AG

Bischhäuser Aue 10
37213 Witzenhausen
Germany

support@faytech.com

contact@faytech.com

www.faytech.com

China: +86 755 8958 0612
Germany: +49 5542 30374 10
USA: +1 646 205 3214
India: +91 11 49707436
Japan: +070 4127 5167