

# 21.5" Embedded Touch PC



- Allwinner A20 Cortex™ DualCore Processor
- 1 GB DDR3 RAM; 8 GB NAND FLASH
- Cortex™ A7 Chipset
- Full HD Resolution – 1920 x 1080
- Android 4.2, 4.4 & Linux Support, WinCE optional
- Optional Bluetooth & GPS
- Integrated HI-FI 100dB Audio Codec, 2x 6W amplifier



Available in two standard versions with just W-LAN or with W-LAN, Bluetooth 4.0 and GPS integrated, POE-plugIn and OTG-port added, it is faytech's most cost effective but still powerful DualCore solution for Linux and Android projects. Even WinCE-BSPs are available for project partners.

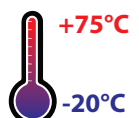
Now available in faytech's embedded capacitive TPC series or also as single embedded system. faytech's Embedded Touchscreen Series is the cost effective solution for machine control, automation, and digital signage. By including pre-installed Android 4.2, Android 4.4 or Linux, a powerful Allwinner A20 Dual Core CPU, Mali400MP2 graphics chipset, numerous interfaces such as USB, serial, network, TTL / UART, Mini-PCie, HDMI, VGA, GPIO, LVDS and extended DC -IN, faytech's new Embedded Series is the right choice for reliable, industrial solutions.

Each embedded system comes standard with 1 GB DDR3 RAM and 8 GB flash memory and includes a S-ATA connector as well as SD card slot for further hard disk expansion. Wi-Fi is integrated, and over MiniPCie the systems can be upgraded to 3G + GPS using the available SIM card slot.

The touch features capacitive 10-finger multitouch panels, Anti Glare chemical etched treatment and optional bonded to the LED backlighting panels, backed by faytech's warranty for pixel accuracy (A + quality).

The design of the Embedded Touchscreen series follows the application: flat easy to integrate IP65 front and stable rear housing with VESA-100 mounting for fixing / integration.

faytech 's new Embedded Touchscreen Series is our most cost-effective solution for intelligent machine control, and like all faytech's reliable touch devices built for precision and durability.



<b>Product name</b>	<b>21.5" Embedded Touch PC</b>
<b>Article code / EAN number</b>	<b>FT215A20M400W1G8GCAP / 6920734022816</b>

Anti-glare LCD Panel	
IP Rated Front Panel	IP65
Screen diagonal (Inch/cm):	21.5/54.69
Display active screen size:	47.70×26.80
Aspect ratio:	16:9
Physical resolution:	1920×1080
Maximum showable resolution (TPCs: external):	1920×1200
Colours displayed:	16.7M
Brightness (cd/m2):	250
Contrast:	1000:1
Typical reaction time Tr/ Tf (ms):	1.5/3.5
Visual Angle horizontal/vertical (°):	170/160
Backlight / Backlight Lifetime (hours):	LED / 40,000

Operation / Mechanical	
Operating Temperature (°C)	-20 ~ +75
Humidity Range (RH)	10%-90%
Net weight (kg)	6.80
Gross weight (kg)	8.56 (incl. cartonage)
Housing material	Plastic
Housing (cm) LxWxH	52.80 x 32.40 x 4.20
Mounting	VESA 100

PC System	
CPU	Alwinner A20 Cortex™ A7 DualCore
Chipset	Cortex A7
Graphic GPU	ARM® Mali400 Mp2 Complies with Open-GL ES 2.0/1.1
Audio	Integrated HI-FI 100dB Audio Codec Dual analog mic, 2x6W amplifier
Memory	1x 1GB DDR3
Storage	8GB NAND Flash
Network	10M/100M/1000M Network; W-LAN
Driver Support	Linux, WinCE
Preinstalled OS	Android 4.4 (W-LAN) Android 4.2.2 (W-LAN, GPS, Bluetooth)

Touch Panel	
Touch Technology	Projected Capacitive 10-Point Multitouch
Touch Connector	USB
Touch Panel Drivers	Windows; Linux; Mac; Android
Touch Life (Contacts)	Unlimited
Surface Hardness	7H

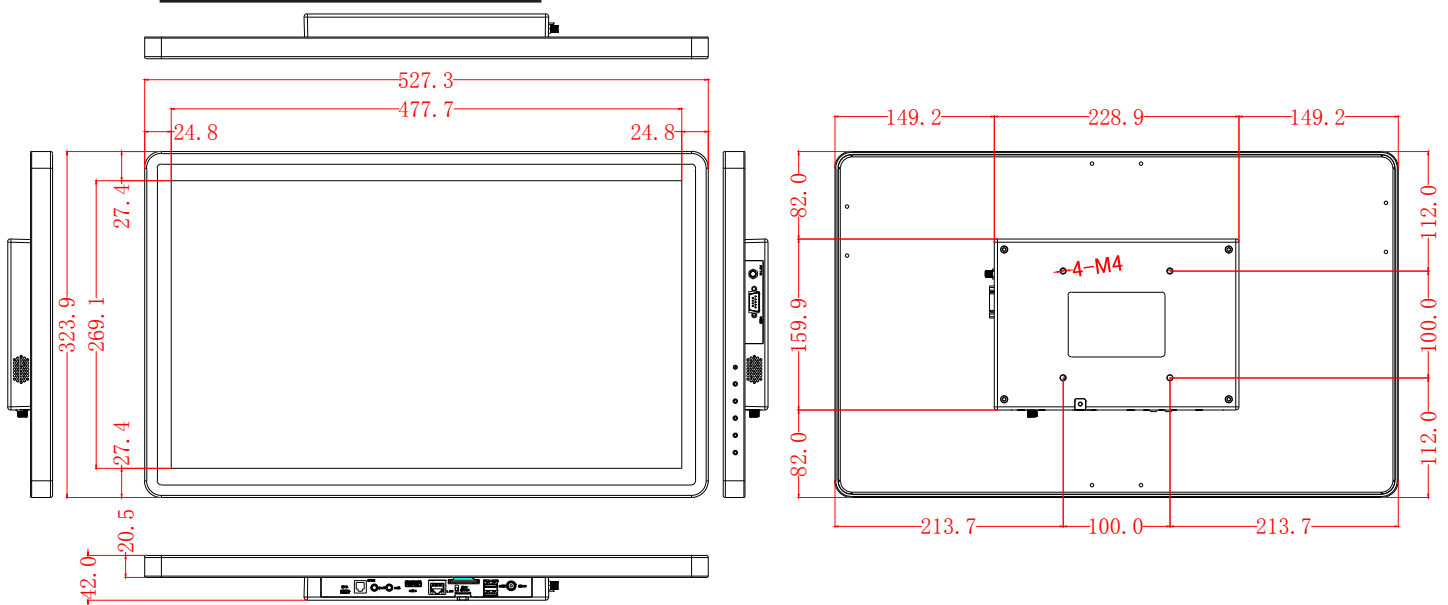
Power	
Power Indicator	Green LED
Power Supply	100-240V ACDC active switching; 12V DC-Out
Working Power (V)	8~18
Power Consumption (W)	25
Stand-By Consumption (W)	<1

Internal Connectors
1x SD-card
1x SIM-card
2x Serial
4x TTL UART
2x USB 2.0
18/24Bit LVDS
24x GPIO
1x Line-In
1x Line-Out
1x Amplifier for 2x 6W loudspeaker
1x SATA-Port
1x RTC

External Connectors
8-18V DC-IN, screwable
2x USB 2.0
1x USB OTG
1x Serial
1x10/100/1000Mbit RJ45 Ports with connector for POE
1x Audio-In
1x Audio-Out
1x W-LAN-connector
1x HDMI

Expansion slots
1x MiniPCIe

Included in the Delivery
Power Supply (see Power section)
Driver DVD
Short Installation Manual
Stylus



## Corporate Headquarters

**faytech Tech. Co., Ltd.**  
 Building F., Hongmen Tech. Zone,  
 Jihua Rd., Shenzhen, China 518129

[support@faytech.com](mailto:support@faytech.com)  
[contact@faytech.com](mailto:contact@faytech.com)  
[www.faytech.com](http://www.faytech.com)

China: +86 755 89580612  
 Germany: +49 551 82098660  
 USA: +1 646 205 3214