

19" Embedded Touch PC



- Allwinner® V40 Cortex™ A7 QuadCore 1GHz Processor
- 1 GB DDR3 RAM & 8 GB EMMC FLASH
- Android 6.0
- Full HD Resolution – 1920 × 1080
- Optional Bluetooth & GPS via Mini PCIe 3G and 4G support
- 10-Finger-Multi Touch Capacitive Touch Panel
- Patented IP65 front with silicon seal
- VESA 100 Mounting
- 2 year guarantee

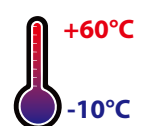
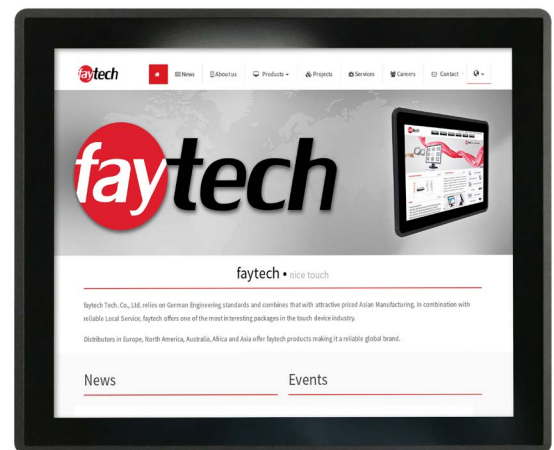
There are currently two versions for the V40 mainboard: The standard version with W-LAN and the full version with additional Bluetooth 4.0, GPS, POE Plug-in and OTG port. This is faytech's most cost effective yet powerful Quadcore solution for Android based platforms.

Powered by the powerful Embedded V40 Mainboard, faytech's Embedded Touch PCs are the best solutions to industrial automation, device control and digital signage. A powerful Allwinner® V40 QuadCore CPU, Mali400MP2 graphics chipset, various connectors, e.g. USB, serial, network, TTL/UART, Mini-PCIe, HDMI, VGA, GPIO, LVDS and extended DC-In, all that makes the Embedded series perfect choice for reliable solutions.

The Embedded PCs are equipped with 1G DDR3 RAM, 8G flash memory and includes a SATA connector as well as SD card slot for further storage expansion. As for network connection, the device is already integrated with Wifi, over Mini PCIe the device can be upgraded to 3G+GPS using the existing SIM card slot.

The touch features capacitive 10-finger multitouch panels, Anti-glare chemical etched treatment and optionally bonded to the LED backlighting panels, backed by faytech's warranty for pixel accuracy (A + quality).

The design of the Embedded Touch PCs follows the application: flat easy to integrate IP65 front and stable rear housing with either VESA 75 or VESA 100 mounting for fixing / integration.



Product name	19" Embedded Touch PC
Article code / EAN number	FT19V40M400W1G8GCAP / 6920734019809

IP Rating	
IP65 Front / IP40 Back	

LCD Panel	
Screen diagonal (Inch/cm)	19/48.26
Display active screen size (cm)	37.93×30.41
Aspect ratio	5:4
Physical resolution	1280×1024
External Maximum showable resolution - DP	1920×1080
Colours displayed	16.7M
Brightness (cd/m ²)	250
Contrast	1000:1
Typical reaction time Tr/ Tf (ms)	1.5/3.5
Visual Angle horizontal/vertical (°)	170/160
Backlight / Backlight Lifetime (hours)	LED / 40,000

Operation / Mechanical	
Operating Temperature (°C)	-10 ~ +60
Humidity Range (RH)	10% - 90%
Net weight (kg)	6.20
Gross weight (kg)	7.40 (incl. cartonage)
Housing material	Rubber Front Case, Plastic Back Case
Housing (cm) L × W × H	43.85 × 36.35 × 4.47
Mounting	VESA 100

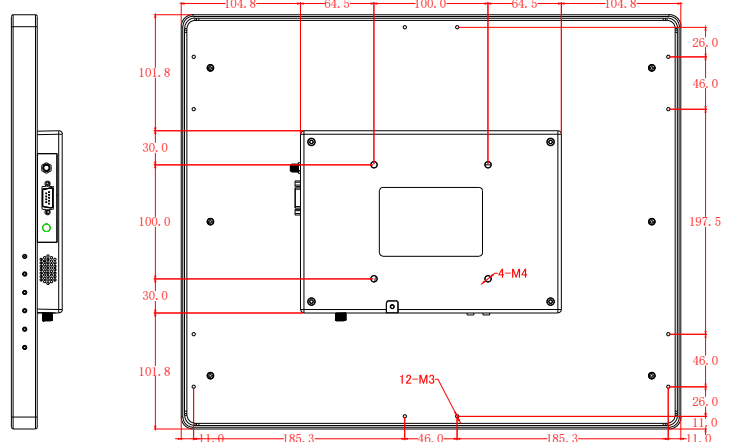
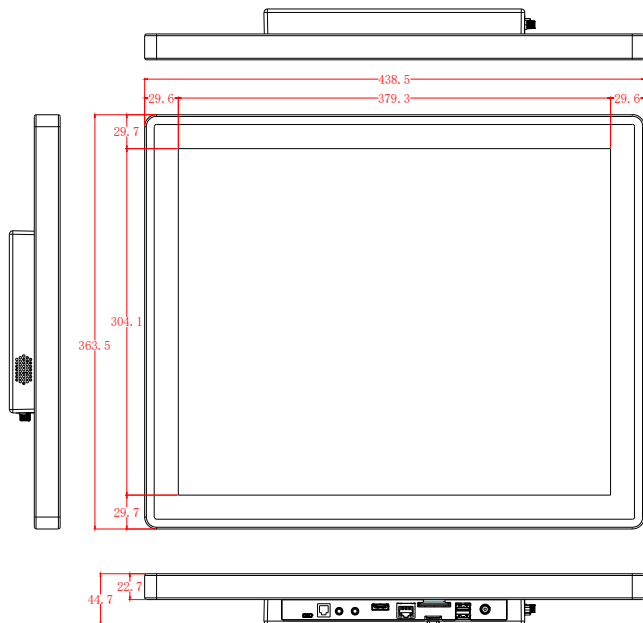
Included in the Delivery	Expansion slots
Power Supply (see Power section)	1x MiniPCle
W-LAN Antenna	
Short Installation Manual	
Standard Stand	

PC System	
CPU	Allwinner® V40 QuadCore
Chipset	Cortex A7
Graphic GPU	ARM® Mali400 Mp2 Complies with OpenGL ES 2.0/1.1
Audio	Integrated HI-FI 100dB Audio Codec Dual analog mic, 2x6W amplifier
Memory	1x 1GB DDR3
Storage	8GB EMMC Flash
Network	10/100Mbit Network; W-LAN
Driver Support	Android 6.0

Touch Panel	
Touch Technology	Projected Capacitive 10-Point Multitouch
Touch Connector	USB
Touch Life (Contacts)	Unlimited
Surface Hardness	7H
Surface Treatment	Anti-glare (chemical etched)

Power	
Power Indicator	Green LED
Power Supply	100-240V ACDC active switching; 12V DC-Out
Working Power (V)	8-18
Power Consumption (W)	25
Stand-By Consumption (W)	<1

Internal Connectors	External Connectors
1x SD-card	1x 8-18V DC-In (screwable)
1x SIM-card	2x USB 2.0
2x Serial	1x USB OTG
4x TTL UART	1x Serial
2x USB 2.0	1x 10/100Mbit RJ45 Ports with connector for POE
18/24Bit LVDS	1x Audio-In
6x GPIO	1x Audio-Out
1x Line-In	1x W-LAN-connector
1x Line-Out	1x HDMI
1x Amplifier for 2x6W loudspeaker	1x GPIO
1x SATA-Port	1x SD-card slot
1x RTC	1x SIM-card slot
1x CAN Bus	



Corporate Headquarters

faytech AG
 Bischhäuser Aue 10
 37213 Witzenhausen
 Germany

support@faytech.com
contact@faytech.com
www.faytech.com

China: +86 755 8958 0612
 Germany: +49 5542 30374 10
 USA: +1 646 205 3214
 India: +91 11 49707436
 Japan: +070 4127 5167