

# 17" Resistive Touch PC



- fay-002 Industrial Mainboard
- Intel® Celeron™ DualCore N2807 / QuadCore J1900 CPU
- 2GB RAM / 4GB RAM (expandable to 8GB)
- 64GB faytech Industrial SSD
- Supports Win7/8/10, Linux (32Bit, 64Bit)
- Extensive industrial and consumer interfaces
- High-quality black aluminum housing
- Audio amplifier with 2x2W speakers
- Pre-installed Linux Ubuntu
- 5-Wire Resistive touch technology
- VESA 100 Mounting
- Integrated W-LAN
- 2 years guarantee
- Extended voltage input 8-36V DC (optional)



\* Stand FTV100SF in picture (optional)

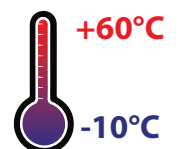
For industrial and business applications, faytech's Touch PC series provide incredible stability due to its fanless silent operation, no moving parts design and aluminum housing.

Equipped with strong Intel® Celeron™ DualCore or QuadCore CPU, Intel® HD graphics, 2G / 4G RAM and 64G SSD, the system supports various OS, e.g. Win 7/ 8/10 (32 or 64 bit) and Linux.

Using 5-wire resistive touch panels (4-wire for 7") and faytech's subpixel free A+ LCD panels, it is our cost-effective yet highly reliable solution for long term operation.

faytech's Touch PCs are the perfect option for moderate and challenging situations, such as industrial automation, POS system, digital signage, etc.

Customization available for project customers (e.g. higher brightness, IP protection classes, optional touch screen technologies, etc.).



<b>Product name</b>	<b>17" Resistive Touch PC</b>
<b>Article code / EAN number</b>	FT17N2807W2G64G / 6920734017522
	FT17J1900W4G64G / 6920734017508

<b>IP Rating</b>	
IP40	

<b>LCD Panel</b>	
Screen diagonal (Inch/cm)	17/43.18
Display active screen size (cm)	33.79×27.04
Aspect ratio	5:4
Physical resolution	1280×1024
External Maximum showable resolution - DP	1920×1200
Colours displayed	16.7M
Brightness (cd/m <sup>2</sup> )	250
Contrast	1000:1
Typical reaction time Tr/ Tf (ms)	3.8/1.2
Visual Angle horizontal/vertical (°)	170/160
Backlight / Backlight Lifetime (hours)	LED / 30,000

<b>Operation / Mechanical</b>	
Operating Temperature (°C)	-10 ~ +60
Humidity Range (RH)	10% - 90%
Net weight (kg)	4.05
Gross weight (kg)	5.75 (incl. cartonage)
Housing material	Aluminum
Housing (cm) L × W × H	39.70 × 32.50 × 6.05
Mounting	VESA 100

<b>Internal Connectors</b>	
1x SO-DIMM Slot, max. 4GB, DDR3L-1333 Single channel memory (J1900: max. 8GB)	
1x 12V DC power connector (2-pin)	
1x 4-pin SATA power connector; 2x S-ATA 3GB/s ports	
1x VGA pin header; 1x SIM-card-Header (connected to MiniPCIe)	
1x LVDS connector; 1x S/PDIF output pin header	
1x 5-pin LCD power connector; 1x 8-bit Digital I/O interface	
1x 4-pin (2x2W) audio amplifier connector	
1x PS/2 keyboard/mouse connector (6-pin)	
2x USB 2.0 header supports additional 4x USB 2.0 ports	
2x RS232 connectors (J1900: 3x RS232/RS485 COM, switchable in BIOS)	
1x Chassis Fan connector	

<b>PC System</b>	
CPU	Intel® Celeron™ DualCore N2807 / Intel® Celeron™ QuadCore J1900
Chipset	Intel® E3800
Graphic GPU	Intel® HD Graphics
Audio	Realtek 887 8 -channel high definition audio codec, Audio Amplifier EUA 2012A
Memory	1x 2GB DDR3L SODimm (for N2807) / 1x 4GB DDR3L SODimm (for J1900)
Storage	faytech Industrial 64GB SSD
Network	2x Realtek PCIe GB LAN 8111G; W-LAN
Driver Support	Win7/8/10; Linux; 32Bit/64Bit
Preinstalled OS	Linux Ubuntu

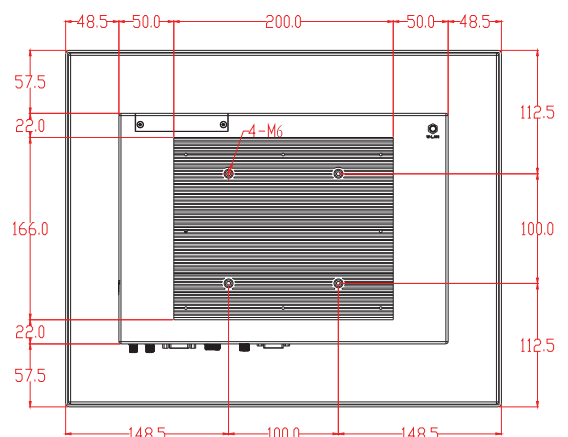
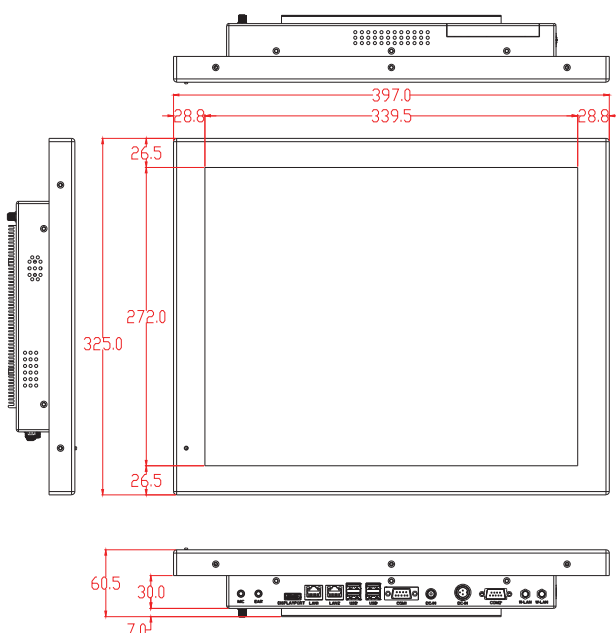
<b>Touch Panel</b>	
Touch Technology	5-Wire Resistive
Touch Connector	USB
Touch Life (Contacts)	10 million in 1 location without failure
Surface Hardness	3H
Surface Treatment	Anti-glare

<b>Power</b>	
Power Indicator	Green LED
Power Supply	100-240V ACDC active switching; 12V DC-Out
Working Power (V)	12
Power Consumption (W)	17
Stand-By Consumption (W)	<1

<b>External Connectors</b>	
1x 12V DC-In (screwable)	
1x DisplayPort	
1x USB 3.0, 3x USB 2.0 ports	
2x COM port Full-PIN - RS232; 5V/12V (J1900: RS232/RS485; 5V/12V)	
2x 10/100/1000Mbit RJ45 Ports	
1x MIC-In & EAR-Out	
2x W-LAN connectors	

<b>Expansion slots</b>	
2x Mini Card slots with PCIe and USB interface (2x Full Height/Half height changeable)	
1x PCIeX1 Straddle connector (J1900 only)	

<b>Included in the Delivery</b>	
Power Supply (see Power section)	
Driver DVD	
Short Installation Manual	
3-Pin Power Connector	
W-LAN Antenna	
Stylus	



## Corporate Headquarters

**faytech AG**  
 Bischhäuser Aue 10  
 37213 Witzenhausen  
 Germany

[support@faytech.com](mailto:support@faytech.com)  
[contact@faytech.com](mailto:contact@faytech.com)  
[www.faytech.com](http://www.faytech.com)

China: +86 755 8958 0612  
 Germany: +49 5542 30374 10  
 USA: +1 646 205 3214  
 India: +91 11 49707436  
 Japan: +070 4127 5167