

# 12.1" Resistive Touch Monitor



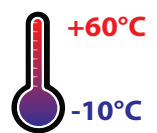
- Suitable for the toughest application environments: Firm ABS-plastic housing, -25 to 75°C Extended temperature range, cable protection with strain relief
- Driver support for all the current operating systems
- Suitable for wall mounting or by using the mounting frame
- Extended voltage input 8-36V DC
- The most-common audio and video connectors available
- High resolution LCD Panels
- USB 2.0 Connector on the front
- Power supply included
- 2 years guarantee



faytech's 7-12" Touch Monitors have numerous detailed improvements including lockable standard connections, a unique cable channeling back cover and mounting frames for machine and wall mount integration. Additionally, each model has shorter starting time and reaction time due to our improved controller chipset.

The series retains its rich assortment of features including: LED backlights, 4-wire resistive touch panel, extra robust components, extended current input (8-36V), VGA+HDMI ports, three video inputs, wall mountable, a high-quality stand, and extended temperature range. Each Touch Monitor comes with faytech's 100% guarantee of no defective pixels, and is 24/7 operational.

The high-resolution support (e.g. 1080p, 1920×1200 pixels) of these faytech Touch monitors make them the perfect choice for a wide variety of applications. Such as using as a surveillance monitor when combined with an HTPC or with security cameras; as control panels in the industrial field; in kiosk systems; as cash monitor or information terminals; for machine control; home automation; wind turbine controls; telematics in transportation systems and in many other fields.



<b>Product name</b>	<b>12.1" Resistive Touch Monitor</b>
<b>Article code / EAN number</b>	<b>FT121TMB / 6920734012114</b>

<b>IP Rating</b>	
IP40	

<b>LCD Panel</b>	
Screen diagonal (Inch/cm)	12.1/30.73
Display active screen size (cm)	26.10×16.30
Aspect ratio	16:10
Physical resolution	1280×800
Maximum showable resolution	1920×1080
Colours displayed	262K
Brightness (cd/m <sup>2</sup> )	300
Contrast	600:1
Typical reaction time Tr/ Tf (ms)	12/13
Visual Angle horizontal/vertical(°)	178/178
Backlight / Backlight Lifetime (hours)	LED / 20,000

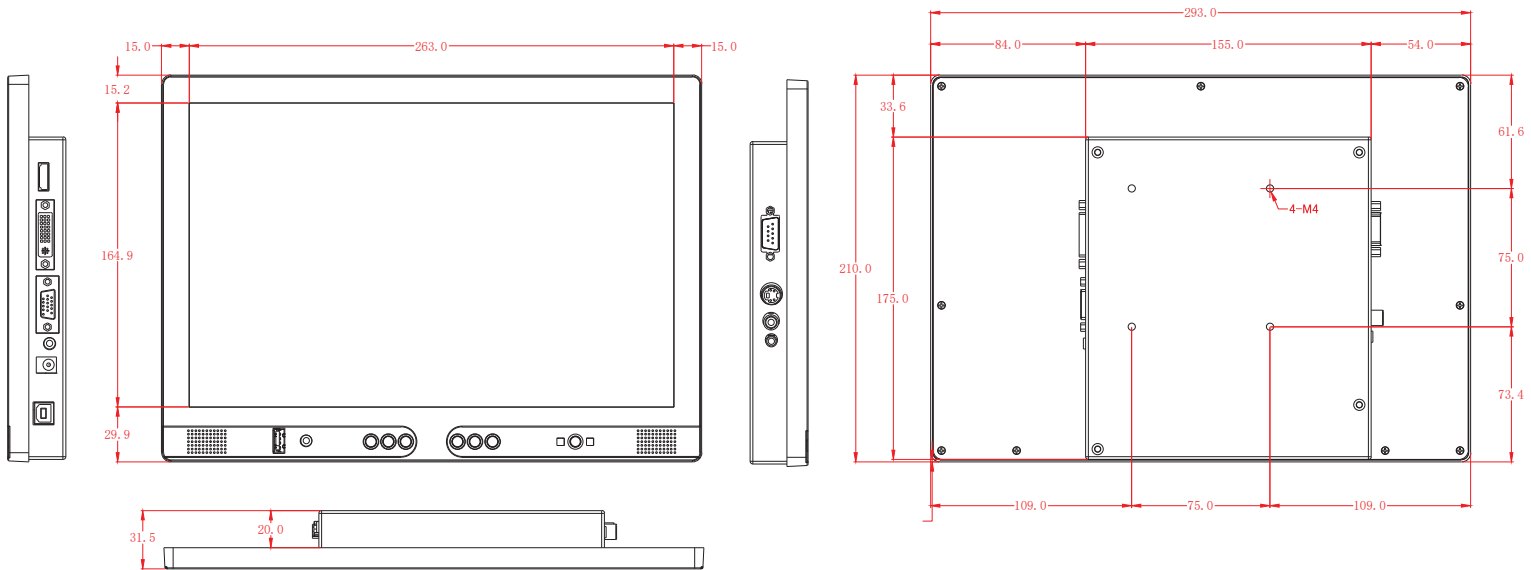
<b>External Connectors</b>	
Video	1x HDMI 1.3 (incl. HDCP)
	1x VGA
	1x DVI-D
	1x Video
	1x S-Video
Audio	1x PC-Audio
	1x Video-Audio
	1x Earphone-Out
Touch Connector	1x USB
	1x Serial
Connectors	1x 12V DC-IN
	1x USB (Front)

<b>Touch Panel</b>	
Touch Technology	5-Wire Resistive
Touch Panel Drivers	Windows; Linux; Mac; Android
Touch Life (Contacts)	10 million touch in 1 location
Surface Hardness	3H
Surface Treatment	Anti-glare

<b>Operation / Mechanical</b>	
Operating Temperature (°C)	-10 ~ +60
Humidity Range (RH)	10% - 90%
Net weight (kg)	1.95
Gross weight (kg)	2.60 (incl. cartonage)
Housing material	Plastic
Housing (cm) L × W × H	29.30 × 21.00 × 3.15
Mounting	VESA 75

<b>Power</b>	
Power Indicator	Green LED
Power Supply	100-240V ACDC active switching; 12V DC-Out
Working Power (V)	12
Power Consumption (W)	10
Stand-By Consumption (W)	<1

<b>Included in the Delivery</b>	
Power Supply (see Power section)	
Stylus	
Remote Controller	
Driver DVD	
Short Installation Manual	
Cables - VGA, USB Touch, Audio cable	
Car Adapter	
faytech FTV75PSF Stand	



## Corporate Headquarters

**faytech AG**  
 Bischhäuser Aue 10  
 37213 Witzenhausen  
 Germany

[support@faytech.com](mailto:support@faytech.com)  
[contact@faytech.com](mailto:contact@faytech.com)  
[www.faytech.com](http://www.faytech.com)

China: +86 755 8958 0612  
 Germany: +49 5542 30374 10  
 USA: +1 646 205 3214  
 India: +91 11 49707436  
 Japan: +070 4127 5167