

10.4" IP65 High Brightness Touch PC

- dustproof
- waterproof
- vandalism secure
- sunlight readable (1000+ Nits)



faytech's IP65 Sunlight readable, vandal-resistant aluminum Touch PC series has been designed for demanding industrial applications, especially outdoor or in places with much dust or water.

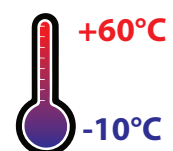
High-performance LEDs with extreme long life, coupled with specialty films and enhanced polarizers allow a perfect picture even under direct sunlight.

The individually equipped, water-and dust-resistant, highly stable connections ensure proper connectivity in all situations and withstand all weather conditions and application.

The heart of the system is faytech's renowned fay-002 mainboard series, equipped with reliable RAM, SSD and W-Lan modules. Preinstalled is an actual Linux Ubuntu Operating system, the fanless and rugged Touch-PC systems work out of the box.

The high-strength safety glass protects against vandalism, on the capacitive models nor a knife, nor a screwdriver leave any scratches.

These features make faytech's IP65 Touch-PC series a real globe-trotter. It is used in America in car wash centers (with capacitive touch panel), in Brazil in police cars (vandalism secure), in Australia in outdoor POS (high brightness), and in Asia and Europe in numerous industry projects. Rely in difficult and demanding operating areas on faytech's rugged touch-PC series.



Product name	10.4" IP65 High Brightness Touch PC
Article code / EAN number	FT104N2807W2G64GIP65HB / 6920734010622

Anti-glare LCD Panel	
IP Protection Class	IP65
Screen diagonal (Inch/cm):	10.4/26.42
Display active screen size:	21.12×15.84
Aspect ratio:	4:3
Physical resolution:	1024×768
Maximum showable resolution (TPCs: external):	1920×1200
Colours displayed:	16.7M
Brightness (cd/m2):	1000+
Contrast:	500:1
Typical reaction time Tr/ Tf (ms):	12.5/12.5
Visual Angle horizontal/vertical (°):	140/120
Backlight / Backlight Lifetime (hours):	LED / 40,000

Operation / Mechanical	
Operating Temperature (°C)	-10 ~ +60
Humidity Range (RH)	20%-90%
Net weight (kg)	1.80
Gross weight (kg)	2.60 (incl. cartonage)
Housing material	Aluminum
Housing (cm) LxWxH	28.40 x 23.70 x 6.30
Mounting	VESA 100

Internal Connectors	
1x SO-DIMM Slot, max. 4GB, DDR3L-1333 Single channel memory	
1x 12V DC power connector (2-pin)	
1x 4-pin SATA power connector; 2x S-ATA 3GB/s ports	
1x VGA pin header; 1x VGA pin header; 1x DP-Pin-Header	
1x LVDS connector; 1x S/PDIF output pin header	
1x 5-pin LCD power connector	
1x Line-Out / Mic-In audio pin header	
1x 4-pin (2x2W) audio amplifier connector	
1x PS/2 keyboard/mouse connector (6-pin)	
1x USB 2.0 header supports additional 4x USB 2.0 ports	
2x RS232 connectors; 1x 8-bit Digital I/O interface	
1x Chassis Fan connector	

PC System	
CPU	Intel® Celeron™ DualCore N2807
Chipset	Intel® E3800
Graphic GPU	Intel® HD Graphics
Audio	Realtek 887 8 -channel high definition audio codec, Audio Amplifier EUA 2012A
Memory	1x 2GB DDR3L SODimm
Storage	faytech Industrial 64GB SSD
W-LAN	2x Realtek PCIe GB LAN 8111G
Driver Support	Win7/8/10; Linux; 32Bit/64Bit
Preinstalled OS	Linux Ubuntu

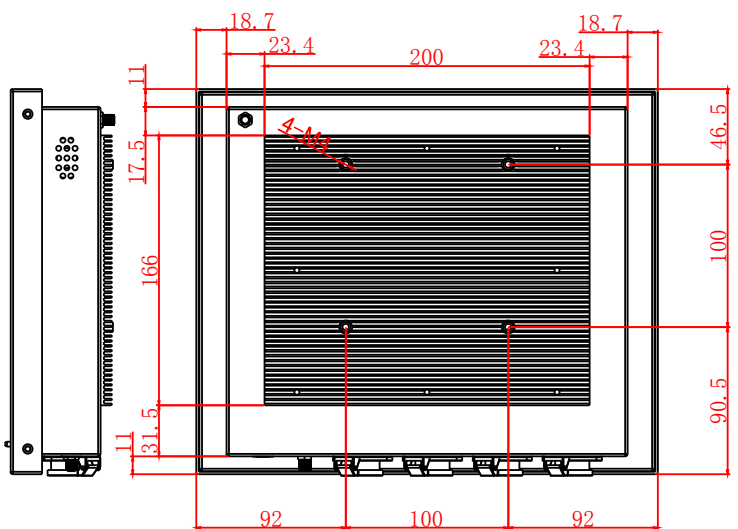
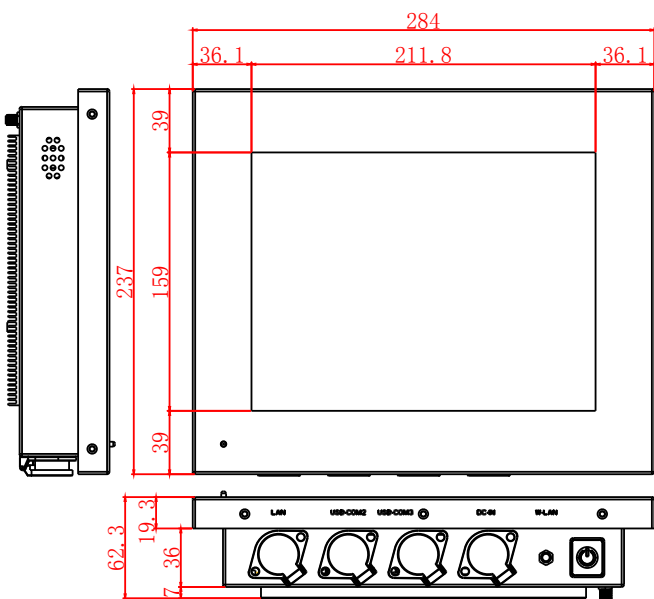
Touch Panel	
Touch Technology	5-Wire Resistive
Touch Connector	USB
Touch Panel Drivers	Windows; Linux; Mac; Android
Touch Life (Contacts)	10 million in 1 location without failure
Surface Hardness	3H

Power	
Power Indicator	Green LED
Power Supply	100-240V ACDC active switching; 12V DC-Out
Working Power (V)	12
Power Consumption (W)	26
Stand-By Consumption (W)	<0.5

External Connectors	
1x 10/100/1000MB LAN	
2x USB 2.0 / RS 232 serial	
2x W-LAN antenna connector	
1x 8-36V DC-IN	

Expansion slots	
2x Mini Card slots with PCIe and USB interface (2 x Full Height/Half height changeable)	

Included in the Delivery	
Power Supply (see Power section)	
Driver DVD	
Short Installation Manual	
Stylus	



Corporate Headquarters

faytech Tech. Co., Ltd.
Building F., Hongmen Tech. Zone,
Jihua Rd., Shenzhen, China 518129

support@faytech.com
contact@faytech.com
www.faytech.com

China: +86 755 89580612
Germany: +49 551 82098660
USA: +1 646 205 3214