

7" Embedded Touch PC



- Allwinner® V40 Cortex™ A7 QuadCore 1GHz Processor
- 1 GB DDR3 RAM & 8 GB EMMC FLASH
- Android 6.0
- Full HD Resolution – 1920 × 1080
- Optional Bluetooth & GPS via Mini PCIe 3G and 4G support
- 10-Finger-Multi Touch Capacitive Touch Panel
- Patented IP65 front with silicon seal
- VESA 75 Mounting
- 2 year guarantee

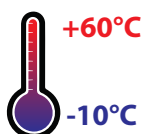
There are currently two versions for the V40 mainboard: The standard version with W-LAN and the full version with additional Bluetooth 4.0, GPS and OTG port. This is faytech's most cost effective yet powerful Quadcore solution for Android based platforms.

Powered by the powerful Embedded V40 Mainboard, faytech's Embedded Touch PCs are the best solutions to industrial automation, device control and digital signage. A powerful Allwinner® V40 QuadCore CPU, Mali400MP2 graphics chipset, various connectors, e.g. USB, serial, network, TTL/UART, Mini-PCIe, HDMI, VGA, GPIO, LVDS and extended DC-In, all that makes the Embedded series perfect choice for reliable solutions.

The Embedded PCs are equipped with 1G DDR3 RAM, 8G flash memory and includes a SATA connector as well as SD card slot for further storage expansion. As for network connection, the device is already integrated with Wifi, over Mini PCIe the device can be upgraded to 3G+GPS using the existing SIM card slot.

The touch features capacitive 10-finger multitouch panels, Anti-glare chemical etched treatment and optionally bonded to the LED backlighting panels, backed by faytech's warranty for pixel accuracy (A + quality).

The design of the Embedded Touch PCs follows the application: flat easy to integrate IP65 front and stable rear housing with either VESA 75 or VESA 100 mounting for fixing / integration.



Product name	7" Embedded Touch PC
Model No. / EAN No.	FT07V40M400W1G8GCAP / 6920734007905

IP Rating	
IP65 Front / IP40 Back	

LCD Panel	
Screen diagonal (Inch/cm)	7/17.78
Display active screen size (cm)	15.36×9.00
Aspect ratio	16:9
Physical resolution	1024×600
External Maximum showable resolution - HDMI	1920×1080
Colours displayed	262K
Brightness (cd/m ²)	500
Contrast	700:1
Typical reaction time Tr/ Tf (ms)	10/15
Visual Angle horizontal/vertical (°)	150/145
Backlight / Backlight Lifetime (hours)	LED / 20,000

Operation / Mechanical	
Operating Temperature (°C)	-10 ~ +60
Humidity Range (RH)	10% - 90%
Net weight (kg)	1.00
Gross weight (kg)	2.00 (incl. cartonage)
Housing material	Rubber Front Case, Plastic Back Case
Housing (cm) L × W × H	19.56 × 13.76 × 3.75
Mounting	VESA 75

Included in the Delivery	
Power Supply (see Power section)	
W-LAN Antenna	
Short Installation Manual	

Expansion slots	
1x MiniPCIe	

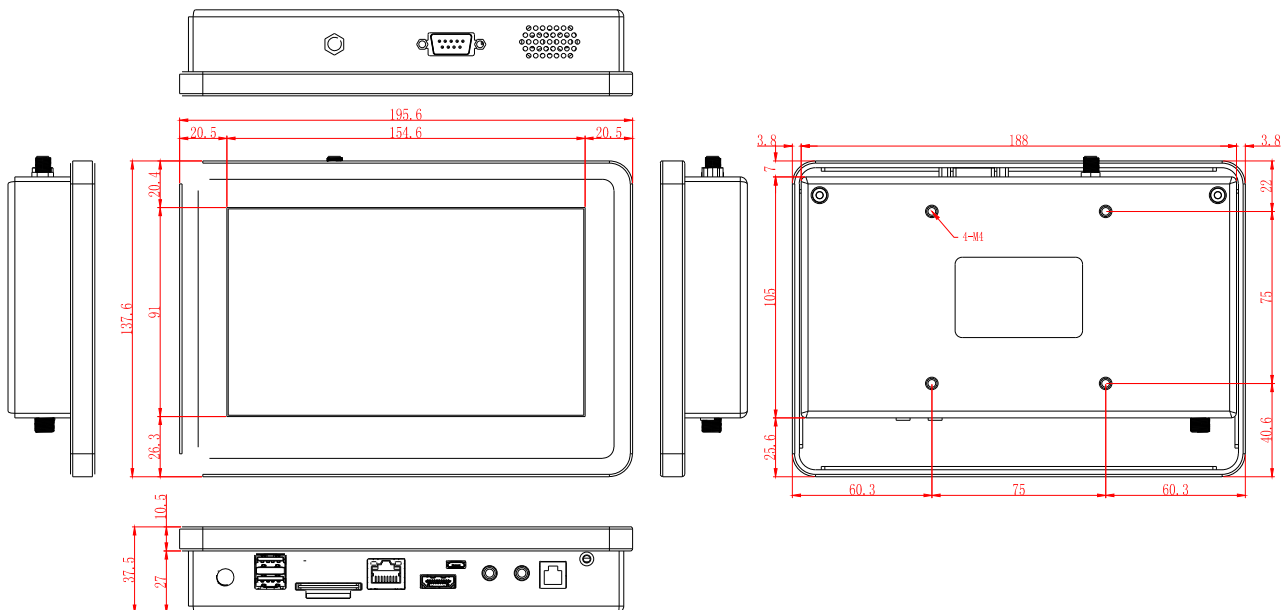
PC System	
CPU	Allwinner® V40 QuadCore
Chipset	Cortex A7
Graphic GPU	ARM® Mali400 Mp2 Complies with OpenGL ES 2.0/1.1
Audio	Integrated HI-FI 100dB Audio Codec Dual analog mic, 2x6W amplifier
Memory	1x 1GB DDR3
Storage	8GB EMMC Flash
Network	10M/100M Network; W-LAN
OS	Android 6.0

Touch Panel	
Touch Technology	Projected Capacitive 10-Point Multitouch
Touch Connector	USB
Touch Life (Contacts)	Unlimited
Surface Hardness	7H

Power	
Power Indicator	Green LED
Power Supply	100-240V ACDC active switching; 12V DC-Out
Working Power (V)	8-18
Power Consumption (W)	8
Stand-By Consumption (W)	<1

Internal Connectors	
1x SD-card	
1x SIM-card	
2x Serial	
4x TTL UART	
2x USB 2.0	
18/24Bit LVDS	
1x Line-In	
1x Line-Out	
1x Amplifier for 2x6W loudspeaker	
1x SATA-Port	
1x RTC	
1x CAN Bus	

External Connectors	
1x 8-18V DC-In (screwable)	
2x USB 2.0	
1x USB OTG	
1x Serial	
1x 10/100Mbit RJ45 Port	
1x Audio-In	
1x Audio-Out	
1x W-LAN-connector	
1x HDMI	
4x GPIO	
1x SD-card slot	
1x SIM-card slot	



Corporate Headquarters

faytech AG
 Bischhäuser Aue 10
 37213 Witzenhausen
 Germany

support@faytech.com
contact@faytech.com
www.faytech.com

China: +86 755 8958 0612
 Germany: +49 5542 30374 10
 USA: +1 646 205 3214
 India: +91 11 49707436
 Japan: +070 4127 5167