

I5-7300U Industrial PC (Box PC)

IPC157300W8G128G

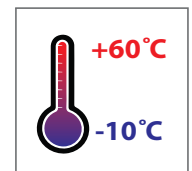
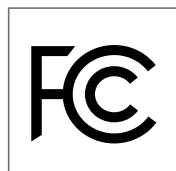


- Intel® Core™ i5-7300U CPU
- 8GB RAM memory, 128GB Industrial SSD
- Supports Windows 10 & Linux (32Bit, 64Bit)
- VESA 100 / Keyhole suspension mount (20×14 cm)
- Integrated audio speakers (2x2w)
- 3 years guarantee

faytech's Industrial PCs are great in combination with any of faytech's touch monitors. Whether it is with the open frame, kiosks or standard touch monitors, the reliable industrial PC is suitable!

This small industrial PC is powered by the high-end Kaby Lake U industrial mainboard. It has an Intel® Core™ i5-7300U processor with 2.60 GHz, 8GB RAM, a 128GB SSD and Intel®'s HD graphics Chipset.

These faytech PCs are the perfect choice for a wide variety of applications including POS systems, control panels in industrial fields, in kiosk systems, office/residence automation, digital signage and in areas like shopping malls, classrooms, hotels and many more.



Product name	I5-7300U Industrial PC (Box PC)
Model number	IPCI57300W8G128G

IP Rating	
IP40	

PC System	
CPU	Intel® Core™ i5-7300U Processor Kaby Lake
Chipset	Fintek F81866D
Graphic GPU	Intel® HD Graphics
Audio	Realtek ALC3236 Audio CODEC
Memory	8GB DDR4 non-ECC RAM
Storage (switchable)	faytech Industrial 128GB SSD
Network	2x Realtek PCIe GB LAN 8111G (1000Mbps)
Driver Support	Win10; Linux; 32Bit/64Bit
Preinstalled OS	Win 10 Professional

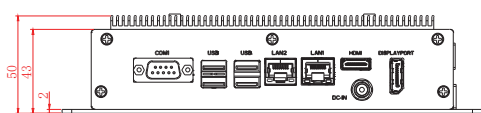
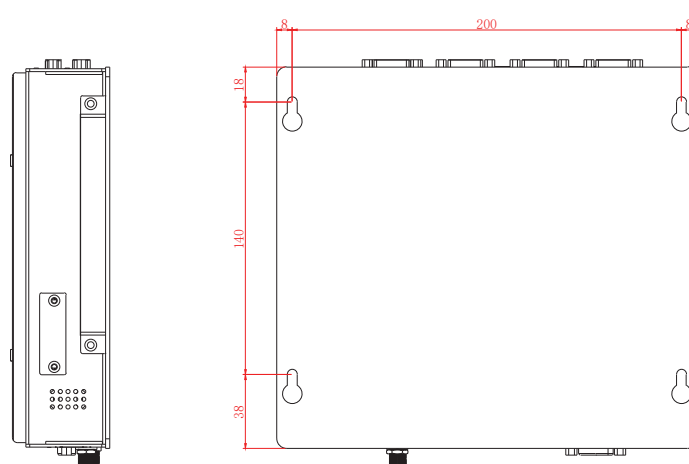
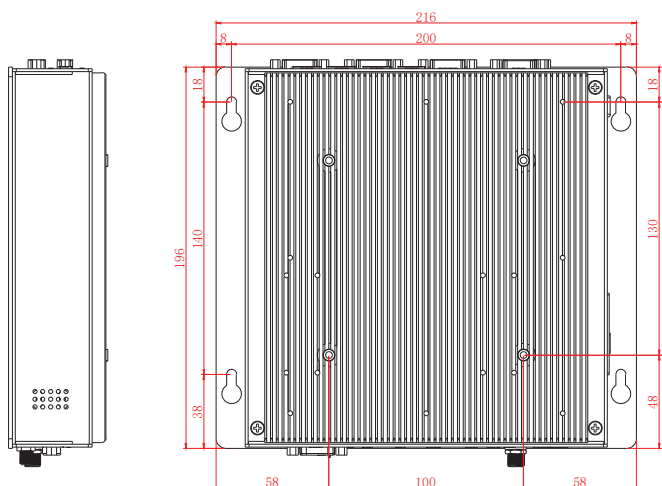
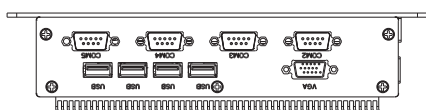
Internal Connectors		
1x SO-DIMM, max. 16 GB, DDR4 1866/2133 non-ECC, Single channel memory		
3x RS232/RS485 COM connectors switchable in BIOS		
1x 12V DC power connector (2-pin)	2x LCD Backlight control/LCD panel voltage box	
1x 5V/12V SATA power connector	1x SIM-card-Header (connected to MiniPCIe)	
1x 4-pin SATA power connector	1x S/PDIF output pin header	
1x 8-bit Digital I/O interface	1x Line-out / Mic-in header	
1x Front Panel box header	1x Serial ATA 6Gb/s	2x USB 3.0 box header
1x MIPI CSI connector	1x LVDS box header	1x DIO connector

Operation / Mechanical	
Operating Temperature (°C)	-10 ~ +60
Humidity Range (RH)	10% - 90%
Net weight (kg)	2.20
Gross weight (kg)	3.20 (incl. cartonage)
Housing material	Aluminum
Housing (cm) L × W × H	21.60 × 19.60 × 5.00
Mounting	VESA 100 / Keyhole suspension mount (20×14 cm)

Power	
Power Supply	100-240V ACDC active switching; 12V DC-Out Power Supply 12V / 5A (screwable)
Working Power (V)	12
Power Consumption (W)	20
Stand-By Consumption (W)	<1

External Connectors	
1x 12V DC-In (screwable)	
1x HDMI	1x DP
1x VGA	8x USB 2.0
5x COM port Full-PIN - RS232; 5V/12V	
2x 10/100/1000Mbit RJ45 Ports	
1x 2.5" module slot, changeable SSD included	

Included in the Delivery	
Power Supply (see Power section)	
Short Installation Manual	



Tolerance: ± 0.5mm

Corporate Headquarters

faytech AG
 Bischhäuser Aue 10
 37213 Witzenhausen
 Germany

support@faytech.com
contact@faytech.com
www.faytech.com

China: +86 755 8958 0612
 Germany: +49 5542 30374 10
 USA: +1 646 205 3214
 India: +91 11 49707436
 Japan: +070 4127 5167