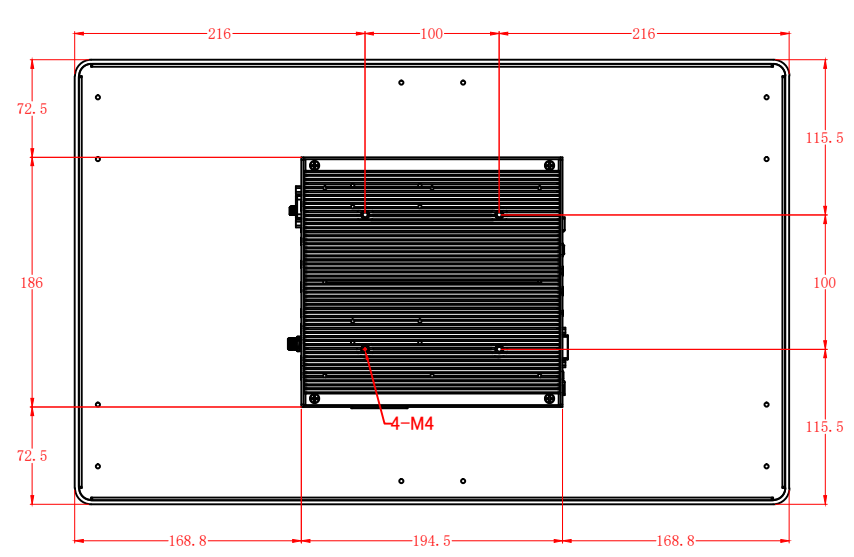
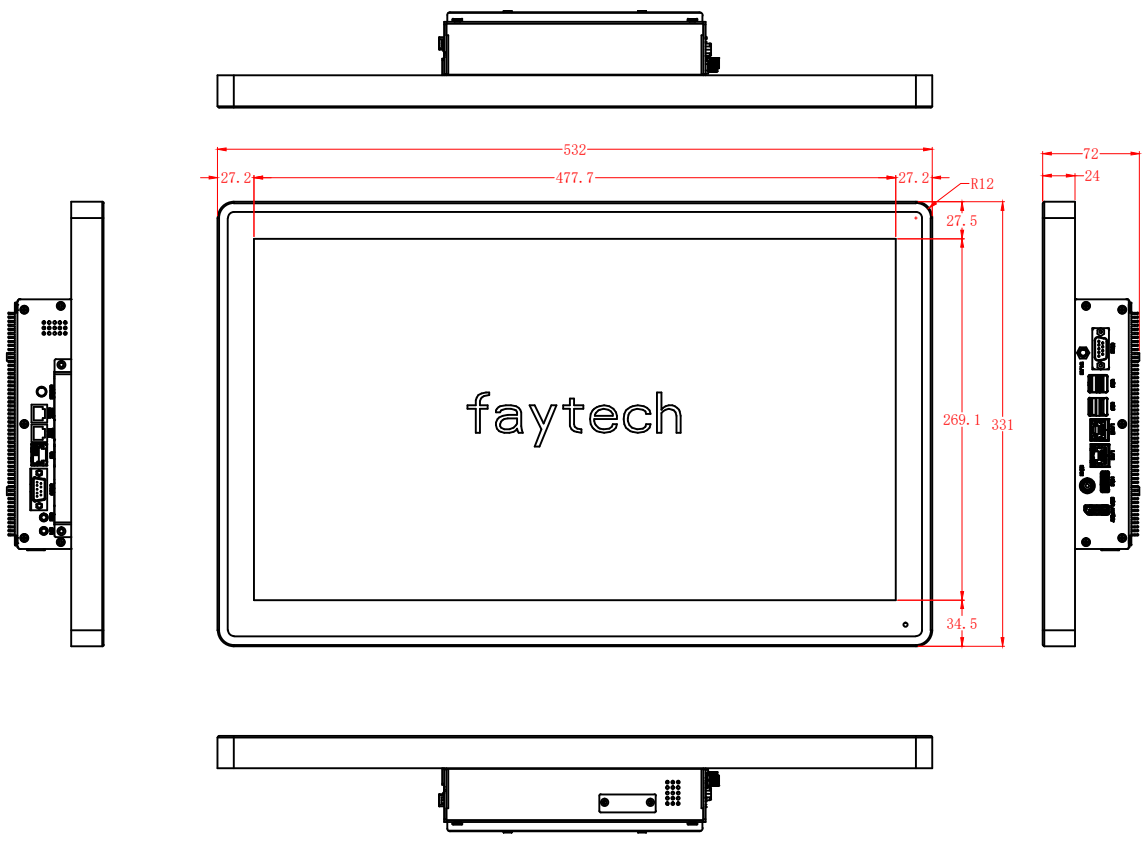



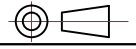
6		7		8	
No.	Rev.	Revision Record		Date	
△					

A  
B  
C  
D  
E  
F

A  
B  
C  
D  
E  
F



General Tolerance ISO 2768-lc	ISO 2768-lc	 深圳市飞帆泰科技有限公司 SHENZHEN FEIFANTAI TECHNOLOGY CO., LTD			
UNIT	mm	Description		215inch-i5	
Scale	1:1	Designed	Noah	Date	2020-03-11
REV.	A0	Checked		Date	
		Approved		Date	



1 2 3 4 5 6 7 8