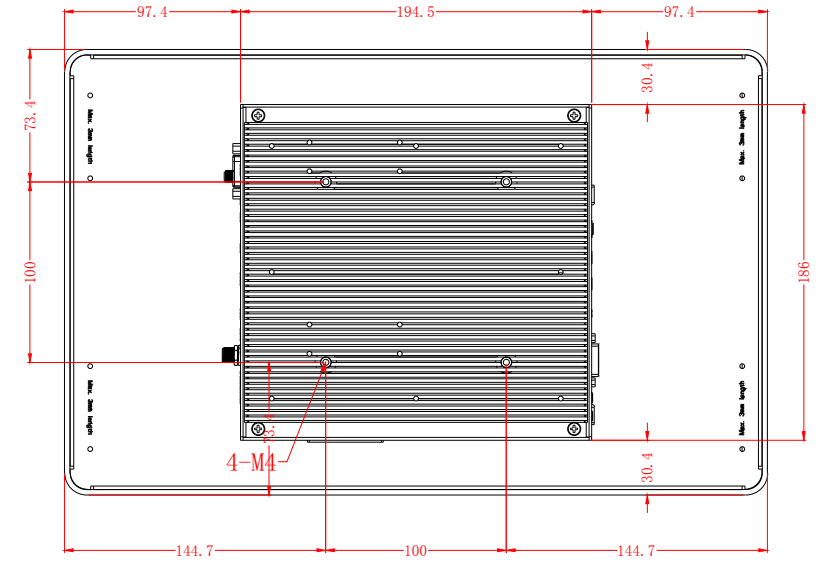
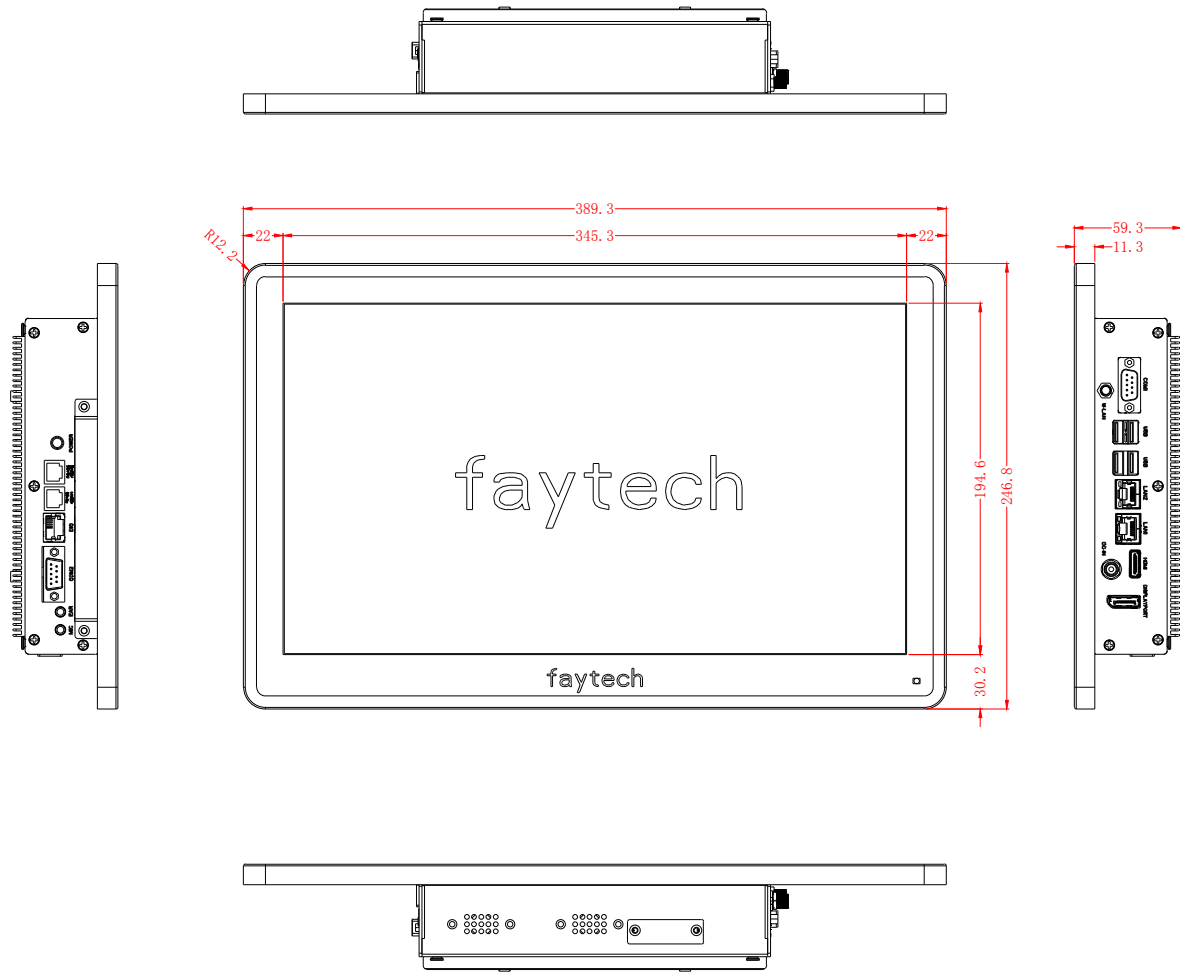

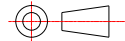


No.	Rev.	Revision Record	Date
△			



Tolerance: $\pm 1MM$

General Tolerance	ISO 2768-lc	 深圳市飞帆泰科技有限公司 SHENZHEN FEIFANTAI TECHNOLOGY CO., LTD			
UNIT	mm	Description		15.6 I5	
Scale	1:1	Designed	Noah	Date	2020-7-17
REV.	A0	Checked		Date	
		Approved		Date	