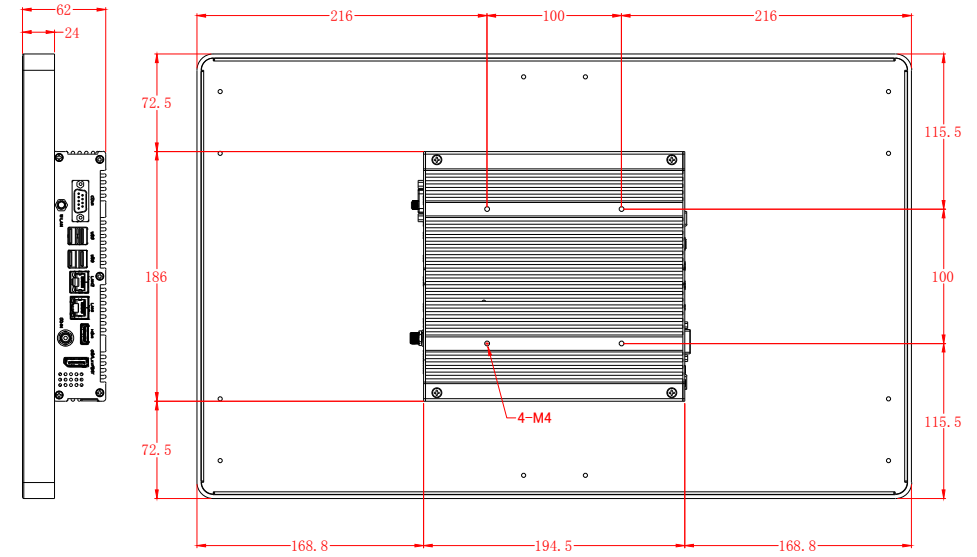
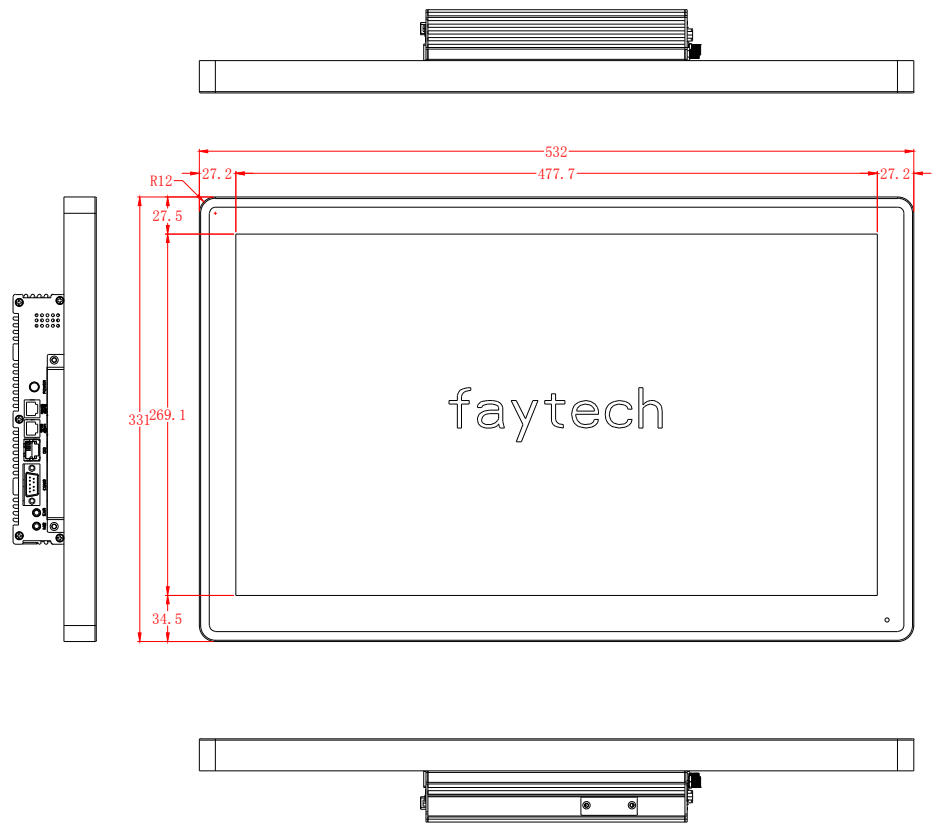



6		7			8
No.	Rev.	Revision Record		Date	
△					



General Tolerance ISO 2768-1c	ISO 2768-1c	 深圳市飞帆泰科技有限公司 SHENZHEN FEIFANTAI TECHNOLOGY CO., LTD			
UNIT	mm	Description		21.5inch-N4200(带一体座子EDP副板)	
Scale	1:1	Designed	Noah	Date	2020-09-17
REV.	A0	Checked		Date	
		Approved		Date	

